

# Service Manual



## Colour Television TX-28XD7C

## EURO-2M Chassis

### SPECIFICATIONS

**Power Source :** 220-240V AC, 50Hz  
**Power Consumption :** 96W  
**Standby Power Consumption :** 1W  
**Aerial Impedance :** 75Ω unbalanced, Coaxial Type  
**Receiving System :** PAL-B, G, D, K, H, PAL 60, SECAM B, G, D, K, MNTSC, NTSC (AV Only)

**Receiving Channels :**  
 VHF E2 - E12 VHF H1 - H2 (ITALY)  
 VHF A - H (ITALY) VHF R1 - R2  
 VHF R3 - R5 VHF R6 - R12  
 UHF E21 - E69 CATV (S01 - S05)  
 CATV S1 - S10 (M1 - M10) CATV S11 - S20 (U1 - U10)  
 CATV S21 - S41 (HYPERBAND)

**Intermediate Frequency :**  
 Video 38.9 MHz  
 Sound 33.4 MHz, 33.16 MHz, 32.4 MHz  
 Colour 34.47 MHz, 34.5 MHz, 34.65 MHz

#### Video / Audio Terminals :

**AUDIO MONITOR OUT** Audio(RCA x 2) 500mV rms, 1kΩ  
**AV1 IN** Video (21 pin) 1V p-p 75Ω  
 Audio (21 pin) 500mV rms 10kΩ  
 RGB (21 pin)  
**AV1 OUT** Video (21 pin) 1V p-p 75Ω  
 Audio (21 pin) 500mV rms 1kΩ  
**AV2 IN** Video (21 pin) 1V p-p 75Ω  
 Audio (21 pin) 500mV rms 10kΩ  
 S-Video IN Y : 1V p-p 75Ω  
 (21 pin) C : 0.3V p-p 75Ω  
**AV2 OUT** Video (21 pin) 1V p-p 75Ω  
 Audio (21 pin) 500mV rms 1kΩ  
**AV3 IN** Audio (RCA x 2) 500mV rms, 10kΩ  
 Video (RCA x 1) 1V p-p 75Ω

**High Voltage :** 28kV ± 1kV (zero beam current)

**Picture Tube :** A66ECF50X32 66 cm

**Audio Output :**  
 Speaker 2 x 20W (Music Power)  
 8 Ω Impedance

Headphones 8 Ω Impedance

**Accessories supplied :** Remote Control  
 2 x R6 (UM3) Batteries

#### Dimensions :

Height : 596.5 mm  
 Width : 778 mm  
 Depth : 481.5 mm  
**Net Weight :** 34kg

Specifications are subject to change without notice.  
 Weight and dimensions shown are approximate.

### TECHNISCHE DATEN

**Netzspannung :** 220-240V AC, 50Hz  
**Leistungsaufnahme :** 96W  
**Standby Leistungsaufnahme :** 1W  
**Antennenimpedanz :** 75Ω asymmetrisch, Koaxial - Typ  
**Empfangssystem :** PAL-B, G, D, K, H, PAL 60, SECAM B, G, D, K, MNTSC, NTSC (nur AV Eingang)

**Empfangsbereiche :**  
 VHF E2 - E12 VHF H1 - H2 (ITALY)  
 VHF A - H (ITALY) VHF R1 - R2  
 VHF R3 - R5 VHF R6 - R12  
 UHF E21 - E69 CATV (S01 - S05)  
 CATV S1 - S10 (M1 - M10) CATV S11 - S20 (U1 - U10)  
 CATV S21 - S41 (HYPERBAND)

**Zwischenfrequenz :**  
 Video 38.9 MHz  
 Sound 33.4 MHz, 33.16 MHz, 32.4 MHz  
 Colour 34.47 MHz, 34.5 MHz, 34.65 MHz

#### Video / Audio Anschlüsse :

**AUDIO MONITOR OUT** Audio(RCA x 2) 500mV rms, 1kΩ  
**AV1 EINGANG** Video (21 pin) 1V p-p 75Ω  
 Audio (21 pin) 500mV rms 10kΩ  
 RGB (21 pin)  
**AV1 AUSGANG** Video (21 pin) 1V p-p 75Ω  
 Audio (21 pin) 500mV rms 1kΩ  
**AV2 EINGANG** Video (21 pin) 1V p-p 75Ω  
 Audio (21 pin) 500mV rms 10kΩ  
 S-Video IN Y : 1V p-p 75Ω  
 (21 pin) C : 0.3V p-p 75Ω  
**AV2 AUSGANG** Video (21 pin) 1V p-p 75Ω  
 Audio (21 pin) 500mV rms 1kΩ  
**AV3 EINGANG** Audio (RCA x 2) 500mV rms, 10kΩ  
 Video (RCA x 1) 1V p-p 75Ω

**Hochspannung :** 28kV ± 1kV (bei Nullstrahlstrom)

**Bildrohre :** A66ECF50X32 66 cm

**Ton Ausgangsleistung :** 2 x 20W (Musikleistung)

**Lautsprecher** 8 Ω Impedanz

Kopfhörer 8 Ω Impedanz

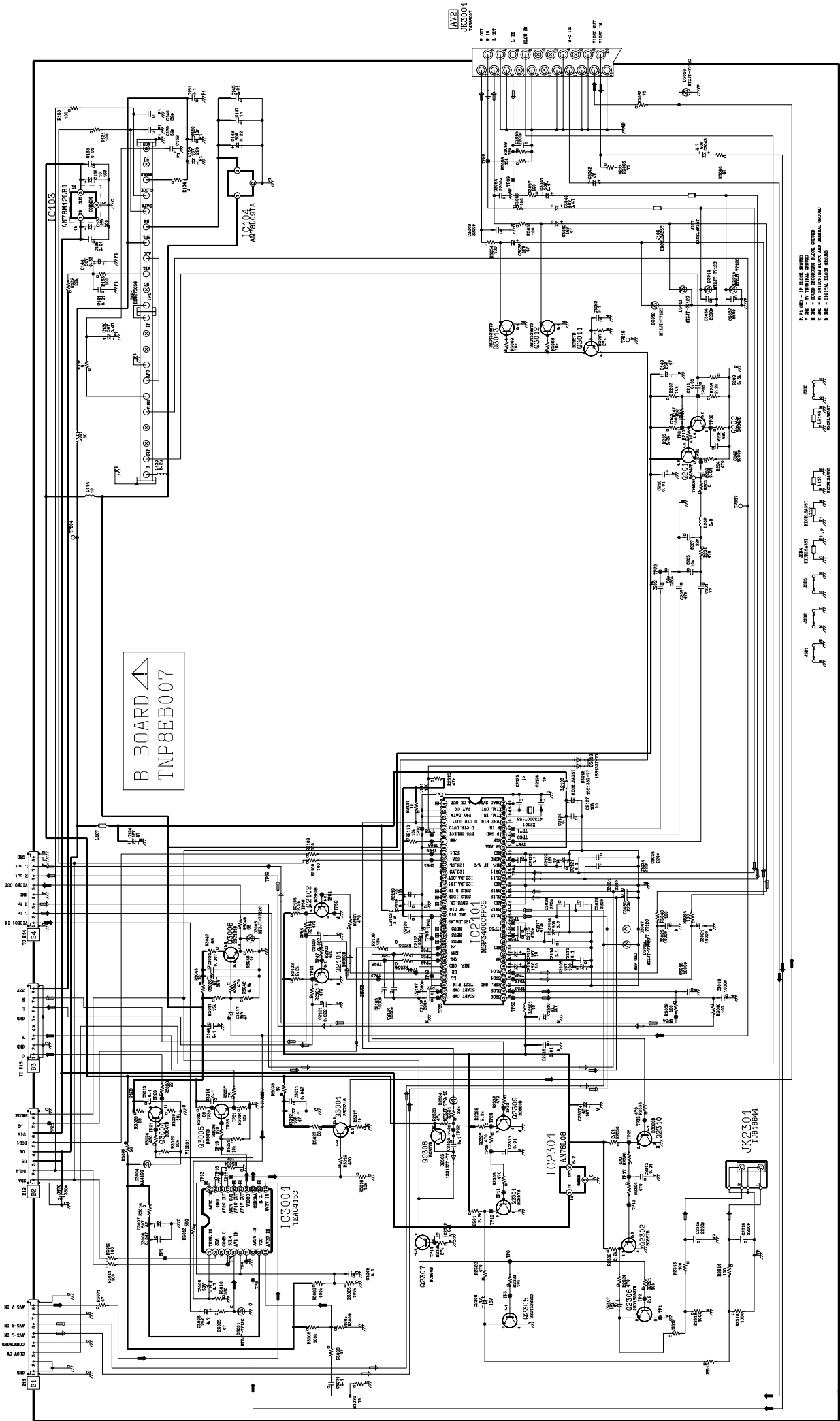
**Mitgel. Zubehör :** Fernbedienung  
 2 x R6 (UM3) Batterien

#### Abmessungen :

Höhe : 596.5 mm  
 Breite : 778 mm  
 Tiefe : 481.5 mm

**Gewicht :** 34kg

Änderungen der technischen Daten vorbehalten.  
 Gewichte und Abmessungen sind Näherungsangaben.

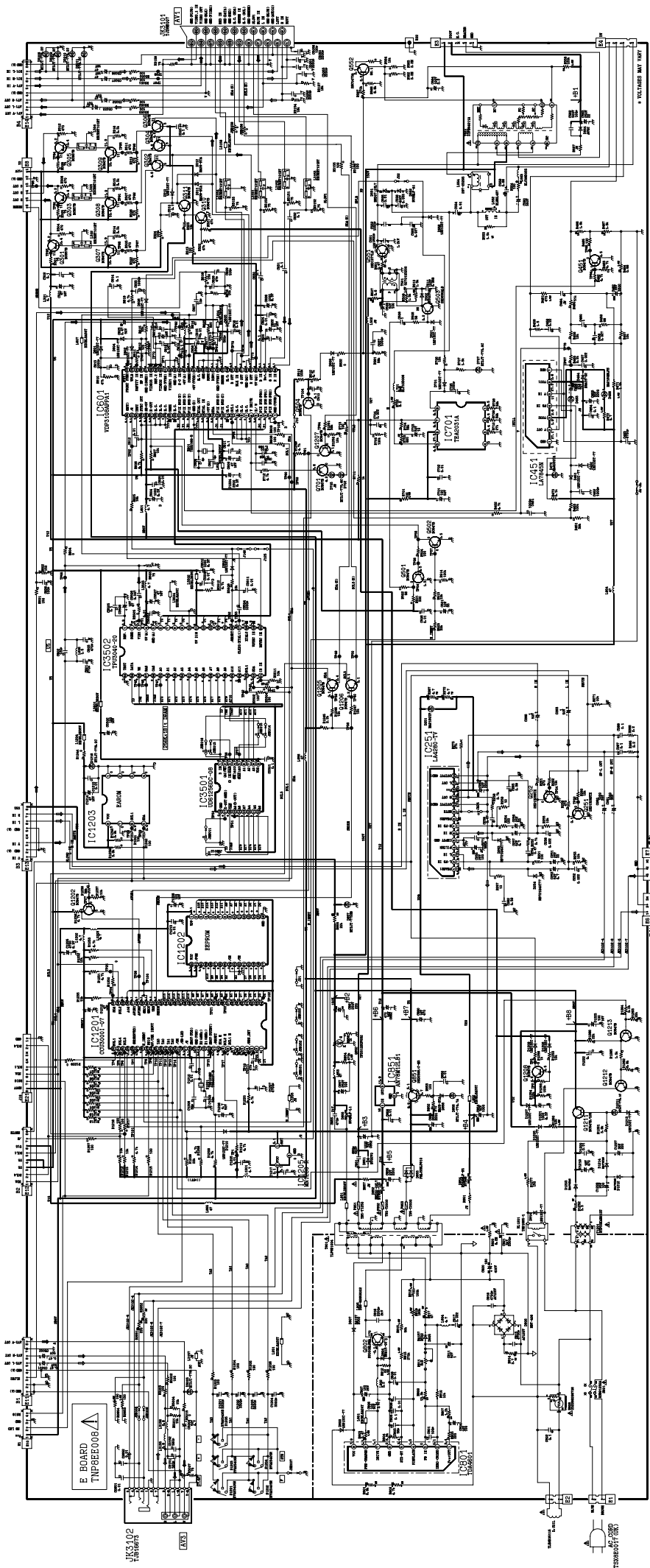


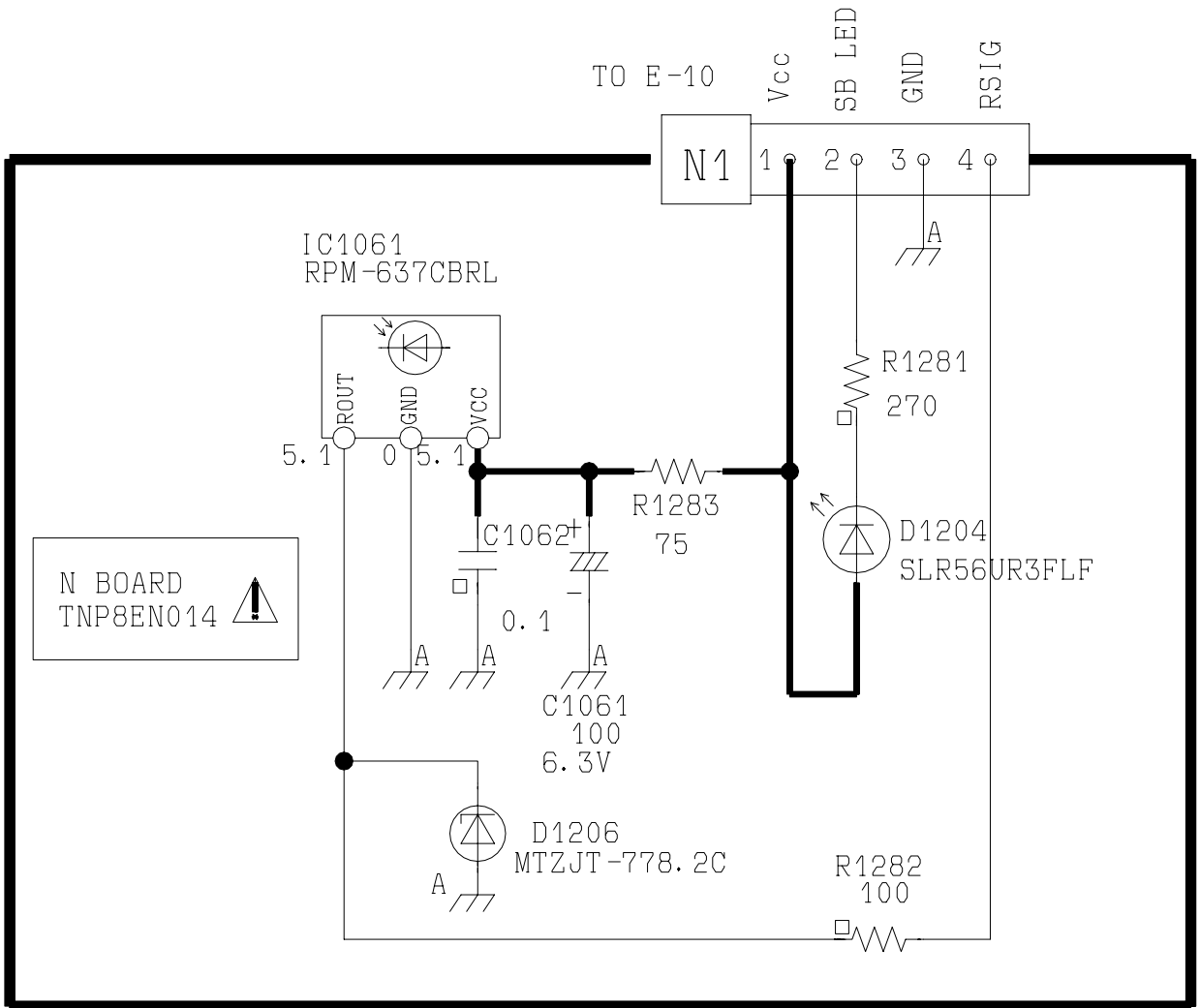
B BOARD  
TNP8EB007

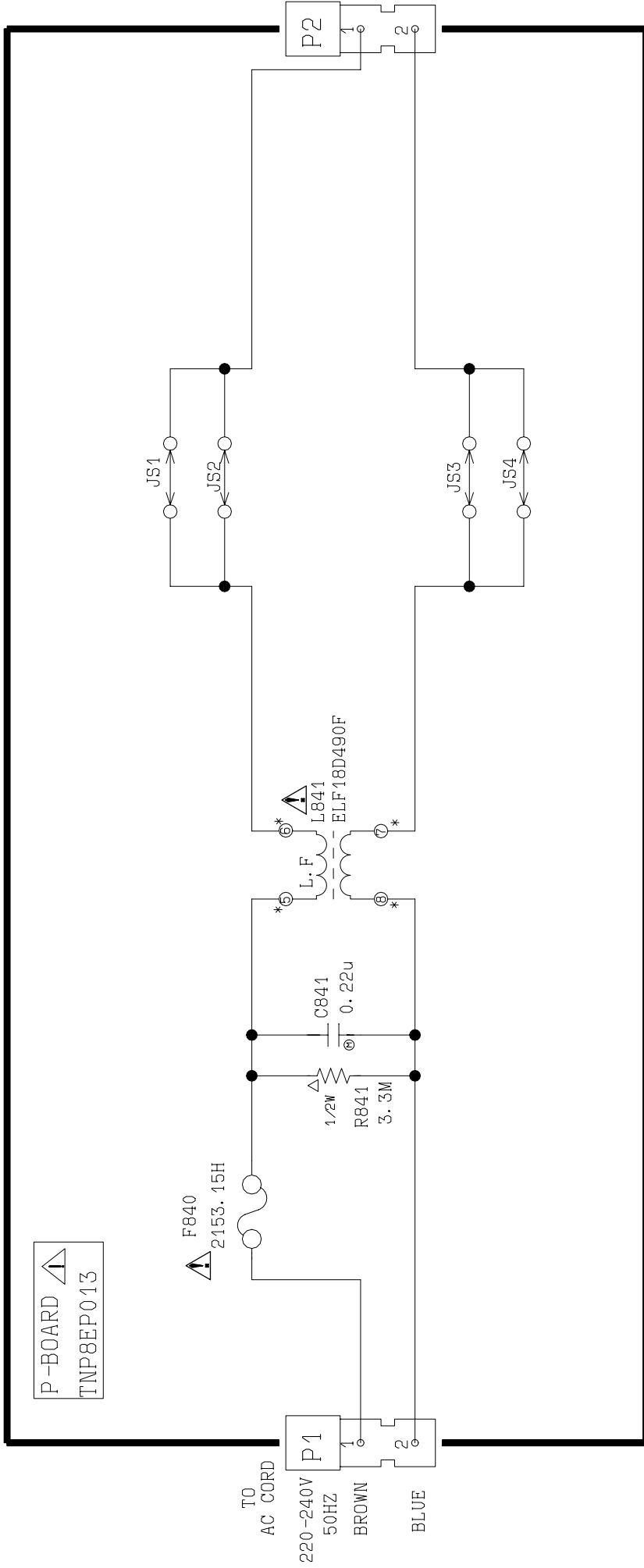
- 1.5" - 1/4" BLACK BOARD
- 1.5" - 1/4" PINK BOARD
- 1.5" - 1/4" WHITE BOARD
- 1.5" - 1/4" BLUE BOARD
- 1.5" - 1/4" GREEN BOARD
- 1.5" - 1/4" RED BOARD
- 1.5" - 1/4" YELLOW BOARD
- 1.5" - 1/4" PURPLE BOARD
- 1.5" - 1/4" BROWN BOARD
- 1.5" - 1/4" SILVER BOARD
- 1.5" - 1/4" GOLD BOARD
- 1.5" - 1/4" IRON BOARD
- 1.5" - 1/4" ALUMINUM BOARD
- 1.5" - 1/4" COPPER BOARD
- 1.5" - 1/4" ZINC BOARD
- 1.5" - 1/4" LEAD BOARD
- 1.5" - 1/4" TIN BOARD
- 1.5" - 1/4" NICKEL BOARD
- 1.5" - 1/4" CHROME BOARD
- 1.5" - 1/4" PLATE BOARD
- 1.5" - 1/4" ANODIZED BOARD
- 1.5" - 1/4" POLYESTER BOARD
- 1.5" - 1/4" POLYIMIDE BOARD
- 1.5" - 1/4" EPOXY BOARD
- 1.5" - 1/4" FIBERGLASS BOARD
- 1.5" - 1/4" CARBON BOARD
- 1.5" - 1/4" Kevlar BOARD
- 1.5" - 1/4" FR-4 BOARD
- 1.5" - 1/4" FR-5 BOARD
- 1.5" - 1/4" FR-6 BOARD
- 1.5" - 1/4" FR-7 BOARD
- 1.5" - 1/4" FR-8 BOARD
- 1.5" - 1/4" FR-9 BOARD
- 1.5" - 1/4" FR-10 BOARD
- 1.5" - 1/4" FR-11 BOARD
- 1.5" - 1/4" FR-12 BOARD
- 1.5" - 1/4" FR-13 BOARD
- 1.5" - 1/4" FR-14 BOARD
- 1.5" - 1/4" FR-15 BOARD
- 1.5" - 1/4" FR-16 BOARD
- 1.5" - 1/4" FR-17 BOARD
- 1.5" - 1/4" FR-18 BOARD
- 1.5" - 1/4" FR-19 BOARD
- 1.5" - 1/4" FR-20 BOARD
- 1.5" - 1/4" FR-21 BOARD
- 1.5" - 1/4" FR-22 BOARD
- 1.5" - 1/4" FR-23 BOARD
- 1.5" - 1/4" FR-24 BOARD
- 1.5" - 1/4" FR-25 BOARD
- 1.5" - 1/4" FR-26 BOARD
- 1.5" - 1/4" FR-27 BOARD
- 1.5" - 1/4" FR-28 BOARD
- 1.5" - 1/4" FR-29 BOARD
- 1.5" - 1/4" FR-30 BOARD
- 1.5" - 1/4" FR-31 BOARD
- 1.5" - 1/4" FR-32 BOARD
- 1.5" - 1/4" FR-33 BOARD
- 1.5" - 1/4" FR-34 BOARD
- 1.5" - 1/4" FR-35 BOARD
- 1.5" - 1/4" FR-36 BOARD
- 1.5" - 1/4" FR-37 BOARD
- 1.5" - 1/4" FR-38 BOARD
- 1.5" - 1/4" FR-39 BOARD
- 1.5" - 1/4" FR-40 BOARD
- 1.5" - 1/4" FR-41 BOARD
- 1.5" - 1/4" FR-42 BOARD
- 1.5" - 1/4" FR-43 BOARD
- 1.5" - 1/4" FR-44 BOARD
- 1.5" - 1/4" FR-45 BOARD
- 1.5" - 1/4" FR-46 BOARD
- 1.5" - 1/4" FR-47 BOARD
- 1.5" - 1/4" FR-48 BOARD
- 1.5" - 1/4" FR-49 BOARD
- 1.5" - 1/4" FR-50 BOARD
- 1.5" - 1/4" FR-51 BOARD
- 1.5" - 1/4" FR-52 BOARD
- 1.5" - 1/4" FR-53 BOARD
- 1.5" - 1/4" FR-54 BOARD
- 1.5" - 1/4" FR-55 BOARD
- 1.5" - 1/4" FR-56 BOARD
- 1.5" - 1/4" FR-57 BOARD
- 1.5" - 1/4" FR-58 BOARD
- 1.5" - 1/4" FR-59 BOARD
- 1.5" - 1/4" FR-60 BOARD
- 1.5" - 1/4" FR-61 BOARD
- 1.5" - 1/4" FR-62 BOARD
- 1.5" - 1/4" FR-63 BOARD
- 1.5" - 1/4" FR-64 BOARD
- 1.5" - 1/4" FR-65 BOARD
- 1.5" - 1/4" FR-66 BOARD
- 1.5" - 1/4" FR-67 BOARD
- 1.5" - 1/4" FR-68 BOARD
- 1.5" - 1/4" FR-69 BOARD
- 1.5" - 1/4" FR-70 BOARD
- 1.5" - 1/4" FR-71 BOARD
- 1.5" - 1/4" FR-72 BOARD
- 1.5" - 1/4" FR-73 BOARD
- 1.5" - 1/4" FR-74 BOARD
- 1.5" - 1/4" FR-75 BOARD
- 1.5" - 1/4" FR-76 BOARD
- 1.5" - 1/4" FR-77 BOARD
- 1.5" - 1/4" FR-78 BOARD
- 1.5" - 1/4" FR-79 BOARD
- 1.5" - 1/4" FR-80 BOARD
- 1.5" - 1/4" FR-81 BOARD
- 1.5" - 1/4" FR-82 BOARD
- 1.5" - 1/4" FR-83 BOARD
- 1.5" - 1/4" FR-84 BOARD
- 1.5" - 1/4" FR-85 BOARD
- 1.5" - 1/4" FR-86 BOARD
- 1.5" - 1/4" FR-87 BOARD
- 1.5" - 1/4" FR-88 BOARD
- 1.5" - 1/4" FR-89 BOARD
- 1.5" - 1/4" FR-90 BOARD
- 1.5" - 1/4" FR-91 BOARD
- 1.5" - 1/4" FR-92 BOARD
- 1.5" - 1/4" FR-93 BOARD
- 1.5" - 1/4" FR-94 BOARD
- 1.5" - 1/4" FR-95 BOARD
- 1.5" - 1/4" FR-96 BOARD
- 1.5" - 1/4" FR-97 BOARD
- 1.5" - 1/4" FR-98 BOARD
- 1.5" - 1/4" FR-99 BOARD
- 1.5" - 1/4" FR-100 BOARD

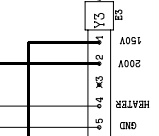
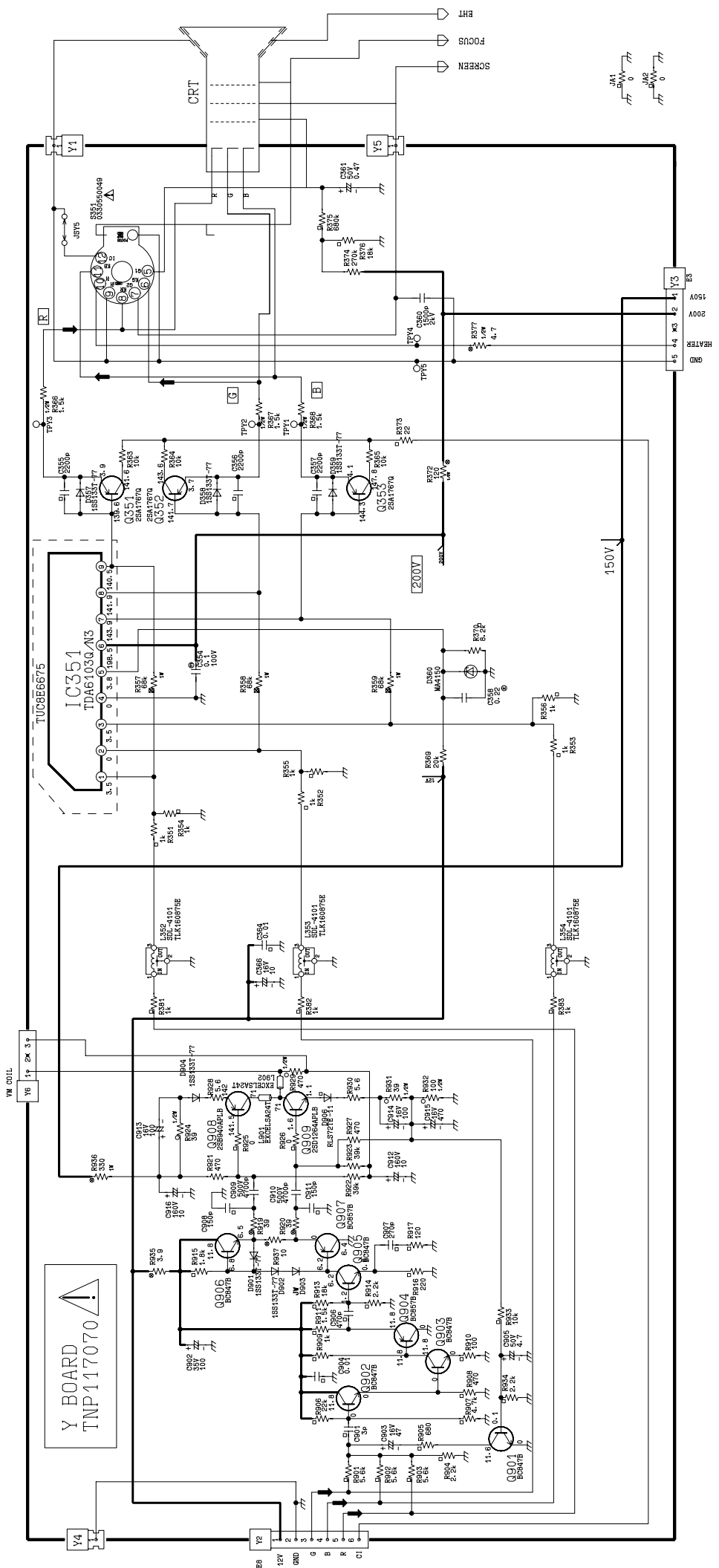
A1/2 JK3001 TURNOFF

JK2301 TUB 6X4









Y BOARD  
TNP117070

IC751  
TDA6103Q/N3

Y6

Y4

CRT

SCREEN

FOCUS

HRT

150V

200V

J3

J4

J5

HEATER

200V

150V

4.7

0.22

0.1

0.01

0.001

0.0001

0.00001

0.000001

0.0000001

0.00000001

0.000000001

0.0000000001

0.00000000001

0.000000000001

0.0000000000001

0.00000000000001

0.000000000000001

0.0000000000000001

0.00000000000000001

0.000000000000000001