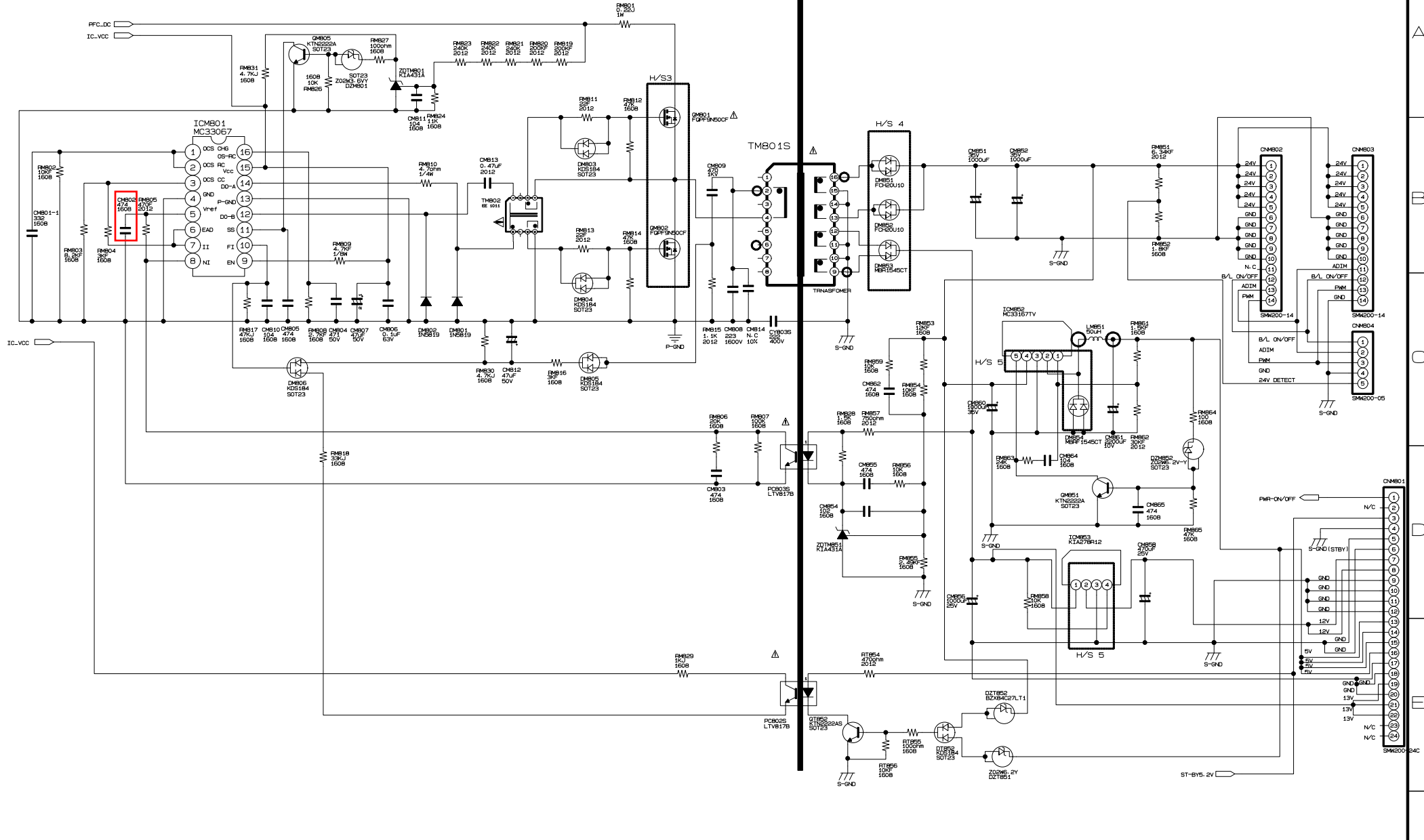


NOTE



USER			DATE	2008. 05. 02
MODEL NAME	MK32_P3B		SCALE	DRAWN
PCB NUMBER			REVISION	CHECKED C. K. S
			CommonScore	APPROVED K. S. H

MAIN BLOCK HOT COLD



NOTE



USER	DATE	2008.05.02
MODEL NAME	SCALE	DRAWN
MK32_P3B	REVISION	CHECKED
PDM NUMBER	CommonScore	APPROVED
		K. S. H