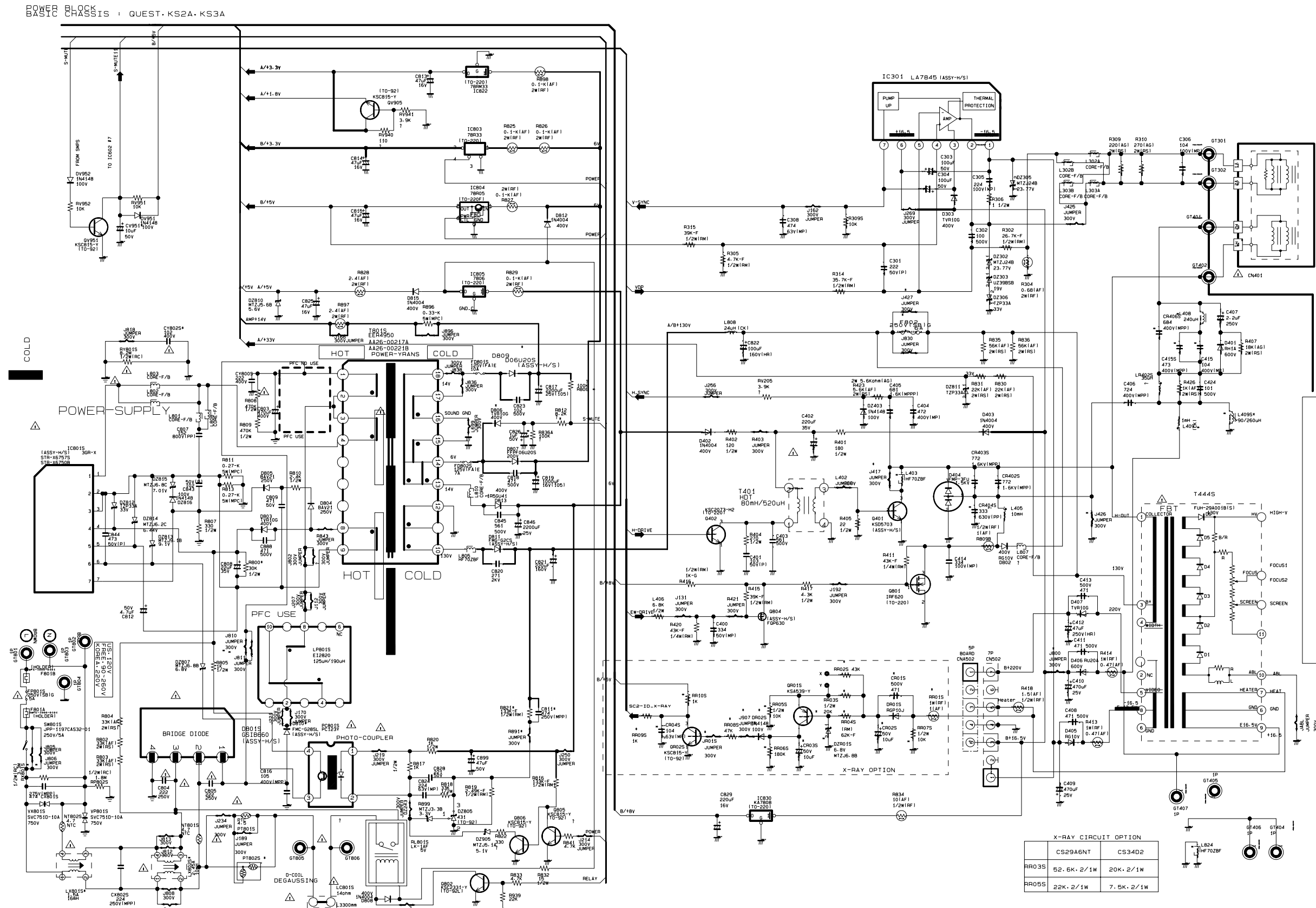


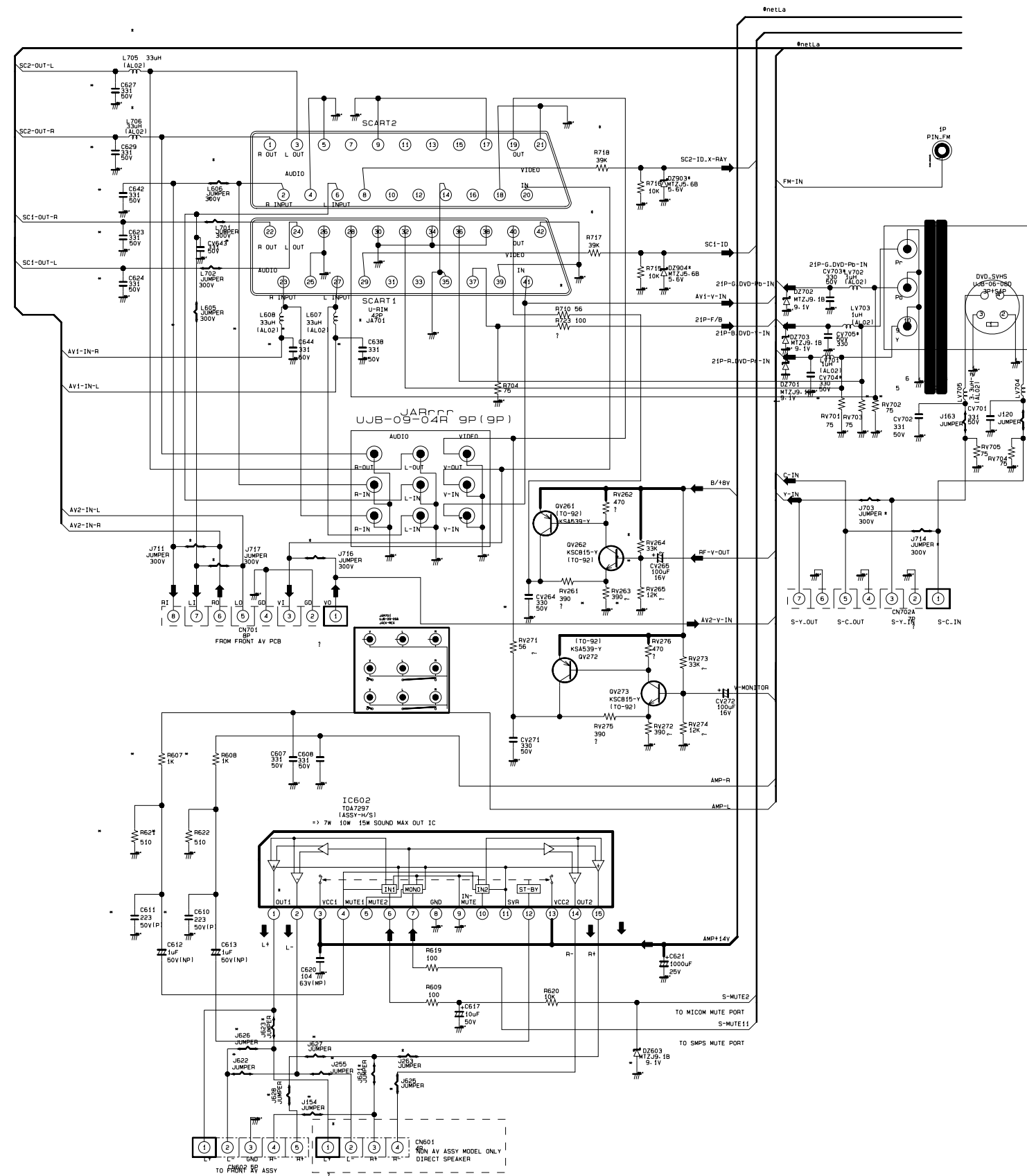
6-2 POWER

This Document can not be used without Samsung's authorization.



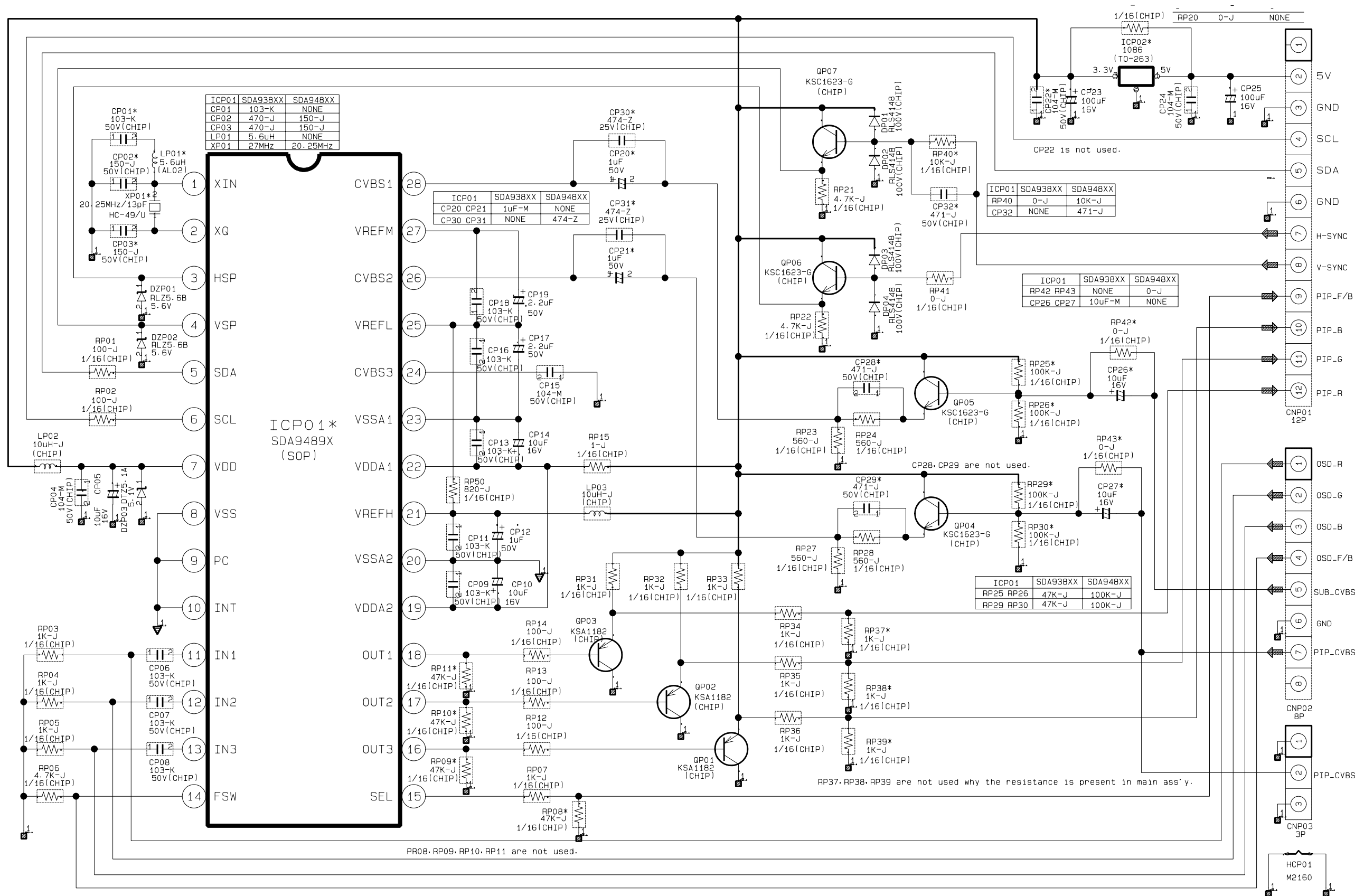
6-4 JACK

This Document can not be used without Samsung's authorization.



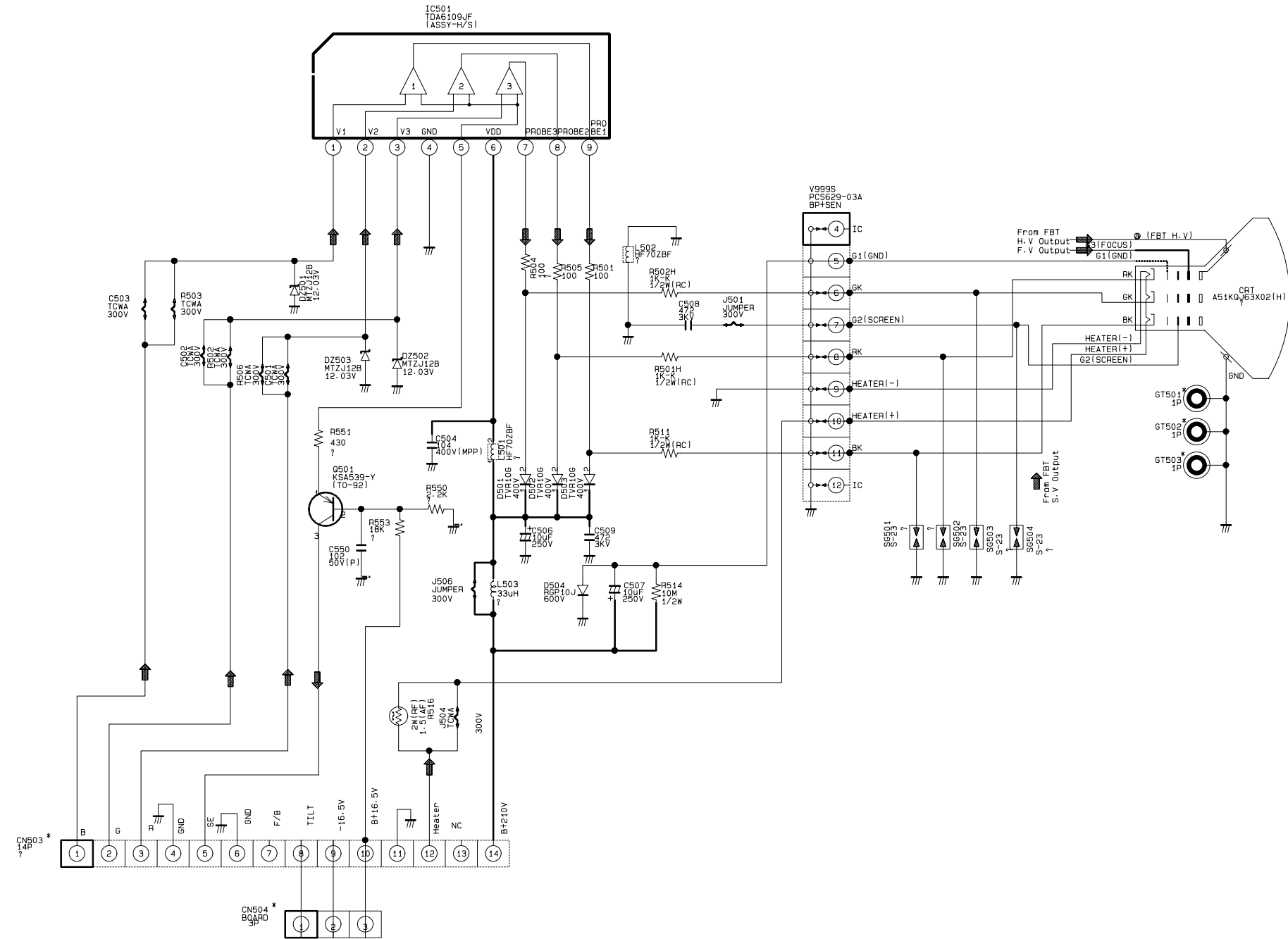
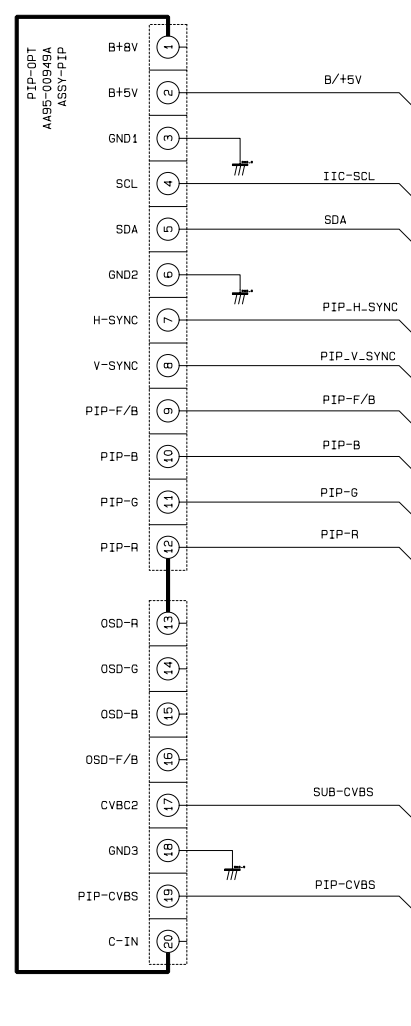
6-5 PIP MODULE

This Document can not be used without Samsung's authorization.



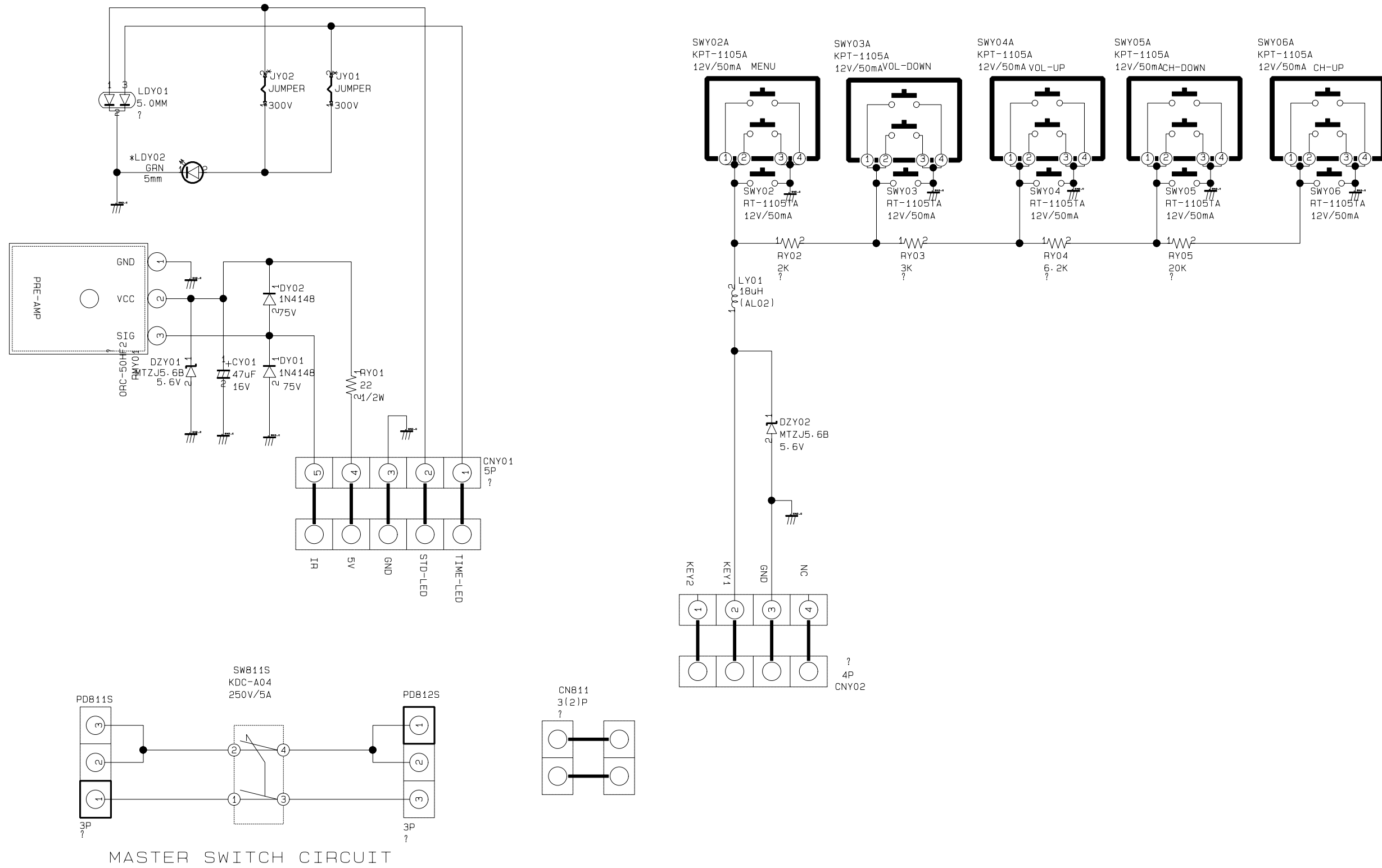
6-6 CRT 2

This Document can not be used without Samsung's authorization.



6-7 CONTROL

This Document can not be used without Samsung's authorization.



6-8 A/V SIDE

This Document can not be used without Samsung's authorization.

